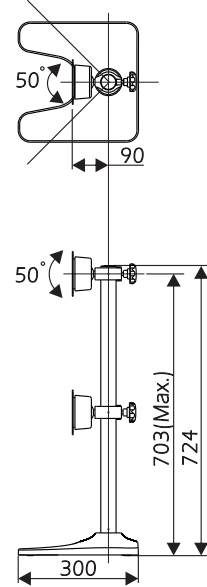
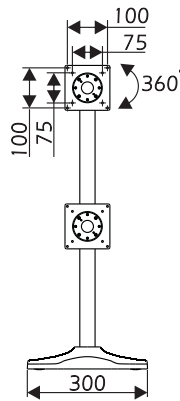
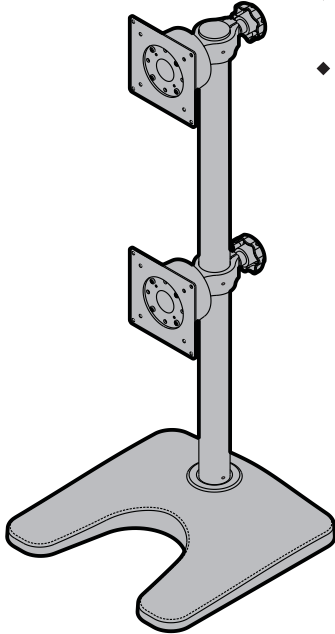


LCD Monitor Table Arms

Specification

- ◆ For LCD Monitor size from 13" to 26"; Max Load: 15kgs/each arm.
- ◆ Meet VESA standard: 75*75/100*100mm.
- ◆ Monitor Horizontal adjustable: 50 degrees; Monitor up&down tilting: 50 degrees.
- ◆ TV Mount left & right swivel: 360 degrees Rotation: 120 degrees.



Unit : mm

Parts List

MAIN PARTS

ITEM	1	2	3	4	5	6	7
PARTS							
QTY	1	1	2	2	2	2	2

PARTS FOR TV BRACKETS

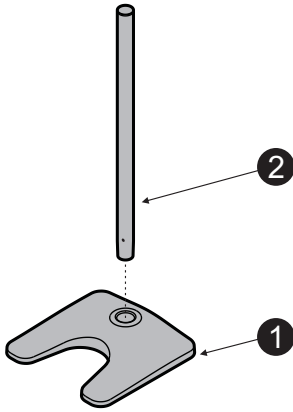
ITEM	8	9	10	11	12
PARTS					
	M5	M4x8	M4x12		M4x6
QTY	1	8	8	3	3

- ⚠ Please evaluate the desk material whether is suitable for installation.
- ⚠ Recommend other people to hold LCD Monitor when doing installation.
- ⚠ Unplug all cables off the objects when installing.

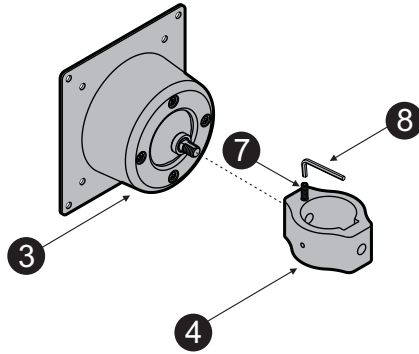
LCD Monitor Table Arms

Installation

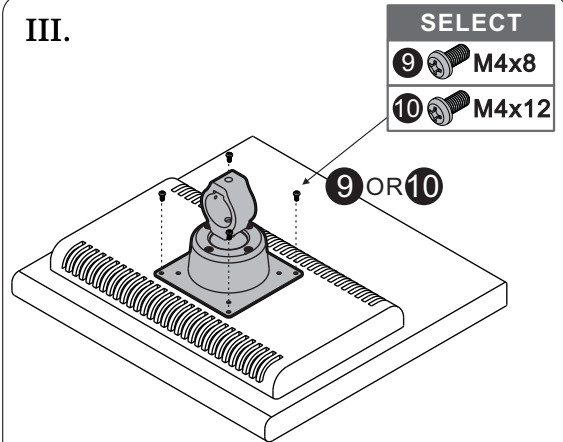
I.



II.

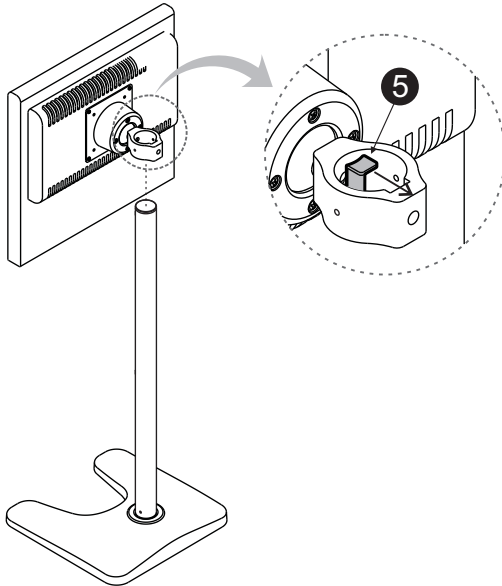


III.

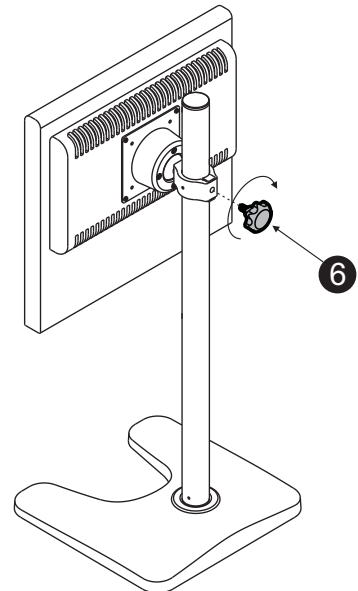


Please put protects the cushion, prevents the abrasion scope face.

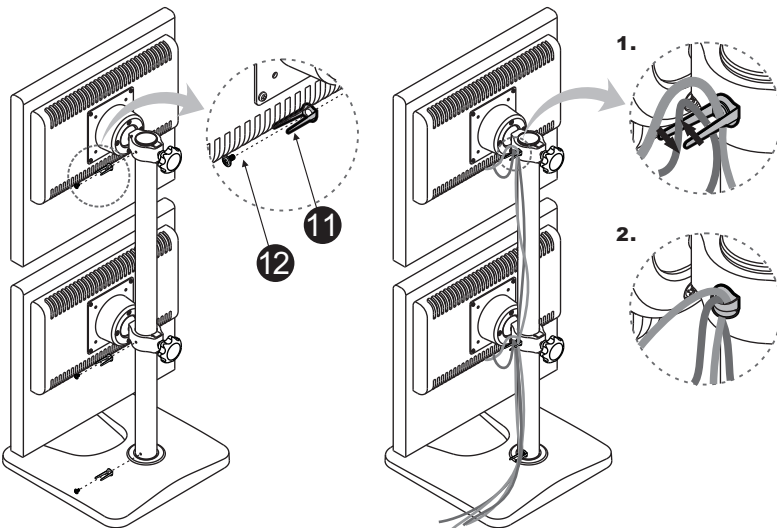
IV.



V.



VI. How does the cable reorganize?



VII. Adjustable height / direction.

